

**SIRIUS BATS20D: 20W** can replace existing T5/T8 fixture applying U.S DOE calculation methods

Condensation Free

**At a Glance:**

- Zero Condensation
- IP65-68 high voltage encapsulation
- DALI-2 Compatible
- Impressive Efficacy
- Brightens up undercover car parks
- Flicker-Free Lighting
- Customised Length Option
- Enhances Greenstar Rating
- Long Lifespan: >60K hours
- AS/NZS 60598.2.1 compliance
- Emergency Lighting Option
- Standard Driver Option
- LoRa Wireless Option



**SIRIUS: Zero Condensation, Very Even Surround Lighting,**

Excellent Ambience: Sirius is a cleverly crafted batten that casts light evenly to brighten its surroundings including the ceiling for better ambience especially in undercover car parks. It is highly diffused to minimise glare in car parks and reduce anxiety. Moisture cannot form in the LED chambers as moist air is allowed to enter/exit its dustproof enclosure. Similar phenomena can be observed on a rainy day where internal walls in a home are always dry.

The low voltage LEDs and printed circuit boards are weatherproofed to prevent corrosion and the driver

with high voltages is encapsulated with heat conductive epoxy. The outcome is a luminaire that can survive when immersed in water. There is less messing around, cables can be inserted from the top, short ends, and long ends and the entry points need only be dustproof.

Sustainability and long-life cycle: Sirius is made from high thermal conductive aluminium for cooler operation to enhance its efficacy and longer life. It has the best efficacy and the lowest depreciation in the industry. It can typically replace a twin-T5/T8 batten with only 20W. By replacing the drivers every 7 years, the luminaire’s lifespan can be increased in quantum of 7 years.

# SIRIUS

## BATS20D (DALI) Specification:

Efficacy: 116 lm/W @ 20W  
Lighting Control: Dimmable  
Driver: BK-PUL018A-0450A, Flicker free

## BATS20S (Std Driver) Specification:

Efficacy: 139 lm/W @ 20W  
Driver: BK-PQL022-C450A Flicker free

## Common Specification:

UGR: <22  
Input power range: 20-28W  
Beam angles: 120°(H), 110°(V)  
CRI: Ra > 83,  
Color temperature: Cool, 5000K; Neutral, 4000K;  
Warm, 3000K; Amber, 2700K,  
SCDM: 3  
LLD(Av): 2.21% @ 12,000 hrs  
Diffuser: Polycarbonate  
Chromaticity shift (Av): 0.0012 @ 12,000 hrs  
Fitting Material: Aluminium  
Fitting color: Anodise metallic or custom colour  
IP rating: IP67 (driver), weatherproof PCB  
Input Voltage: 200-240Vac  
Power factor: >0.96 @ 20W  
Operating temperature: -20°C to 45°C  
Approved standards: SAA, C-Tick  
Life expectancy (L70): >60,000 hrs  
Warranty: 5 years  
Weight: 1.3kg 600mm, 2.5kg 1200mm long  
Custom color: Yes  
Custom Dimensions: Yes

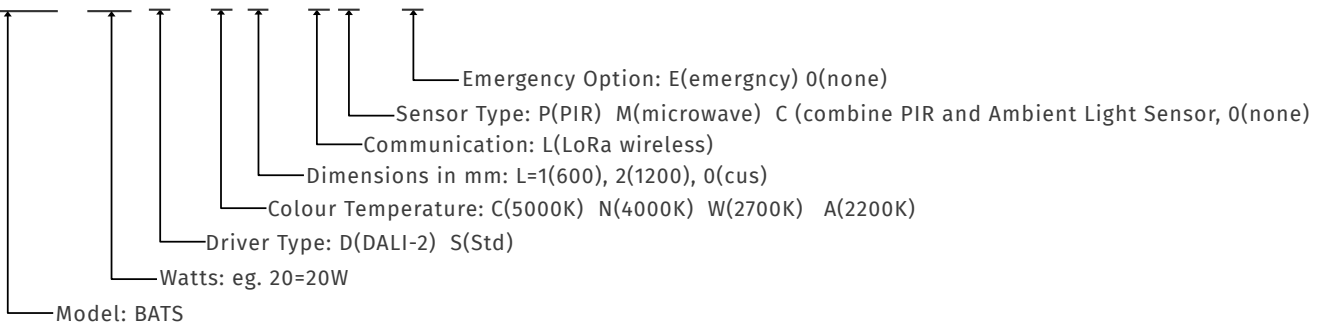
## Lighting Control Hardware:

Wired or wireless DALI-2  
Wireless LoRa with i3t Smart App  
Wireless range: 5km  
Hierarchical Zone layers: 5  
Groups per Zone: 255  
Number of gateway: 1 (typical)  
Point-n-click Zone-Group configuration  
Ambient light correction

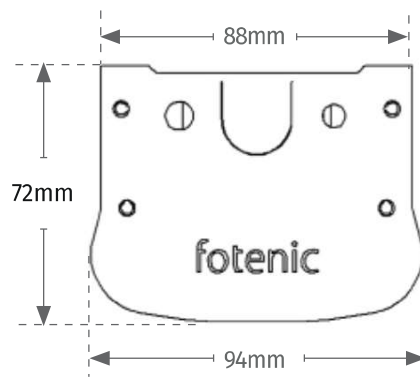
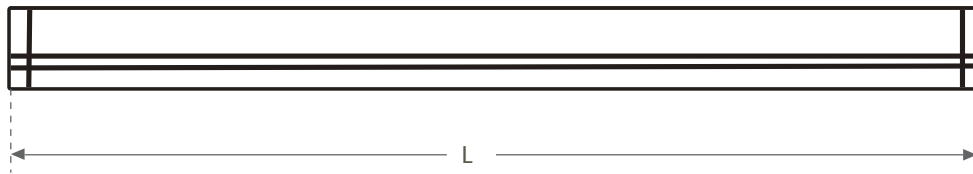
## i3t User Interface:

Zone-Group dimming  
Scene setting  
Occupancy sensing  
Access and Security Control  
Emergency Light monitoring

**B A T S 2 0 X - X X - X X - X**

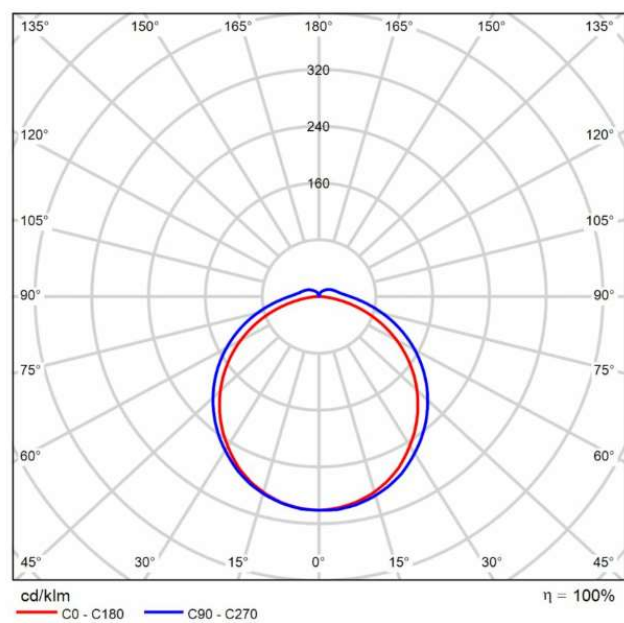


## Dimensions:



SideView

\*Custom dimensions available for bulk orders



BAT20D photometric chart